

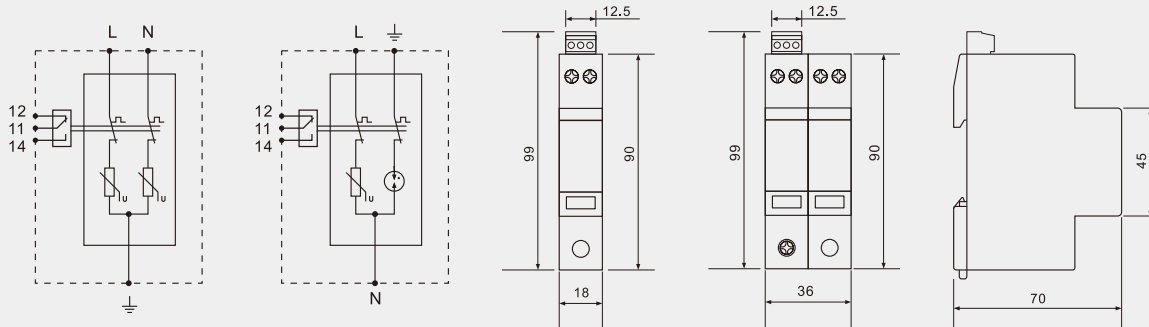


Type 2+3 Surge Arrester

www.britecelectric.com

BR-40DP

Type 2+3 Surge Arrester



■ Type 2+Type 3 surge arrester is installed between LPZ1 and LPZ2, it can provide type 3 protection for equipments which installed within 5 meters from these devices.

	BR 275 40DP 4	BR 275 40DP 2	BR 275 40DP 3+1	BR 275 40DP 1+1
SPD classification according to EN61643-11	Type 2+Type 3	Type 2+Type 3	Type 2+Type 3	Type 2+Type 3
SPD classification according to IEC61643-11	Class II+Class III	Class II+Class III	Class II+Class III	Class II+Class III
Max. continuous operating a.c. voltage	Uc	275V	275V	275V
Nominal discharge current (8/20 μs)	In	20kA	20kA	20kA
Max. discharge current (8/20 μs)	I _{max}	40kA	40kA	40kA
Voltage protection level	Up	≤1.3kV	≤1.3kV	≤1.3kV/1.5kV
Voltage protection level 5kA	Up	≤1.0kV	≤1.0kV	≤1.0kV/1.5kV
Combined impulse	Uoc	10kV	10kV	10kV
Max backup fuse		125A gG	125A gG	125A gG
Response time	t _A	≤25ns	≤25ns	≤25ns
Operating temperature range	T _u	-40°C-80°C	-40°C-80°C	-40°C-80°C
Operating state/fault indication		green/red	green/red	green/red
Cross-section area (Min.)		2.5mm ²	2.5mm ²	2.5mm ²
Cross-section area (Max.)		16mm ²	16mm ²	16mm ²
For mounting on	35mm Din rail			
Enclosure material	Thermoplastic UL94-V0			
Degree of protection	IP20	IP20	IP20	IP20
Order Code	B8220	B8241	B8243	B8245
Order Code (with remote signal)	B8221	B8242	B8244	B8246

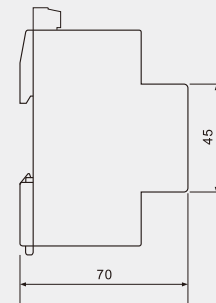
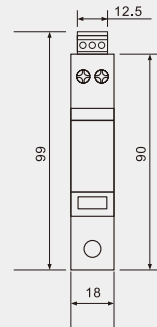
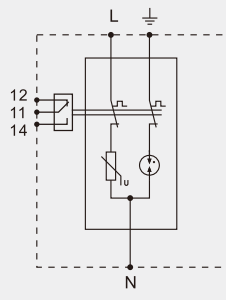
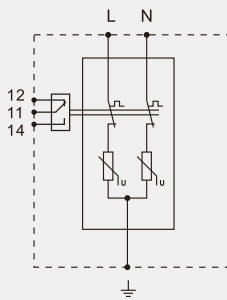


Type 3 Surge Arrester

www.britecelectric.com

BR-20DP

Type 3 Surge Arrester



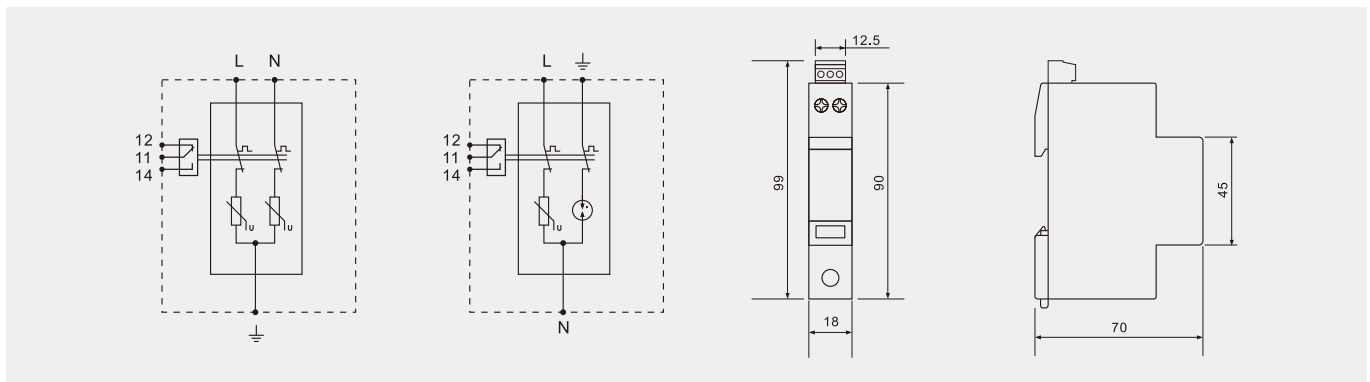
■ Type 3 surge arrester is installed between LPZ2 and LPZ3, it can provide protection for equipments.

	BR30-20DP	BR75-20DP	BR150-20DP	BR275-20DP
SPD classification according to EN61643-11	Type 3	Type 3	Type 3	Type 3
SPD classification according to IEC61643-11	Class III	Class III	Class III	Class III
Normal a.c. voltage U_n	24V	60V	120V	230V
Max. continuous operating a.c. voltage U_c	30V	75V	150V	275V
Max. continuous operating d.c. voltage U_c	38V	100V	190V	300V
Nominal discharge current (8/20 μ s) I_n	10kA	10kA	10kA	10kA
Combined impulse U_{oc}	10kV	10kV	10kV	10kV
Voltage protection level U_p	≤ 300 V	≤ 600 V	≤ 800 V	≤ 1200 V
Response time t_A	≤ 25 ns	≤ 25 ns	≤ 25 ns	≤ 25 ns
Operating temperature range T_u	-40°C-80°C	-40°C-80°C	-40°C-80°C	-40°C-80°C
Operating state/fault indication	green/red	green/red	green/red	green/red
Cross-section area (Min.)	2.5mm ²	2.5mm ²	2.5mm ²	2.5mm ²
Cross-section area (Max.)	16mm ²	16mm ²	16mm ²	16mm ²
For mounting on	35mm Din rail	35mm Din rail	35mm Din rail	35mm Din rail
Enclosure material	Thermoplastic UL94-V0			
Degree of protection	IP20	IP20	IP20	IP20
Order Code 2P	B8345	B8343	B8341	B8339
Order Code (with remote signal) 2P	B8346	B8344	B8342	B8340
Order Code 1+1	B8353	B8351	B8349	B8347
Order Code (with remote signal) 1+1	B8354	B8352	B8350	B8348



BR-10DP

Type 3 Surge Arrester

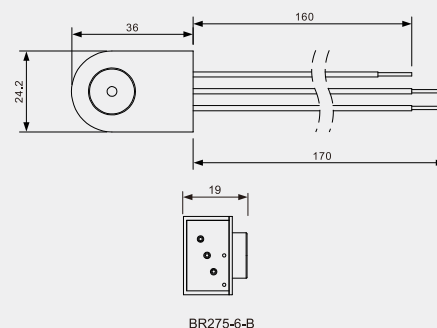
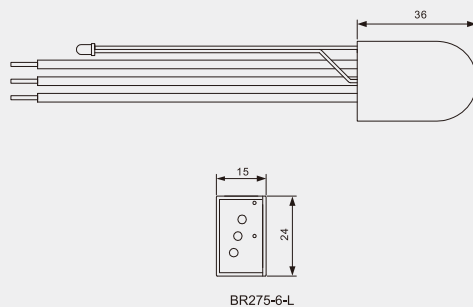
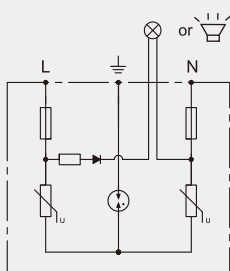


■ Type 3 surge arrester is installed between LPZ2 and LPZ3, it can provide protection for equipments.

	BR30-10DP	BR75-10DP	BR150-10DP	BR275-10DP
SPD classification according to EN61643-11	Type 3	Type 3	Type 3	Type 3
SPD classification according to IEC61643-11	Class III	Class III	Class III	Class III
Normal a.c. voltage U_n	24V	60V	120V	230V
Max. continuous operating a.c. voltage U_c	30V	75V	150V	275V
Max. continuous operating d.c. voltage U_c	38V	100V	190V	300V
Nominal discharge current (8/20 μ s) I_n	5kA	5kA	5kA	5kA
Combined impulse U_{oc}	10kV	10kV	10kV	10kV
Voltage protection level U_p	≤ 200 V	≤ 500 V	≤ 700 V	≤ 1100 V
Response time t_A	≤ 25 ns	≤ 25 ns	≤ 25 ns	≤ 25 ns
Operating temperature range T_u	-40°C-80°C	-40°C-80°C	-40°C-80°C	-40°C-80°C
Operating state/fault indication	green/red	green/red	green/red	green/red
Cross-section area (Min.)	2.5mm ²	2.5mm ²	2.5mm ²	2.5mm ²
Cross-section area (Max.)	16mm ²	16mm ²	16mm ²	16mm ²
For mounting on	35mm Din rail	35mm Din rail	35mm Din rail	35mm Din rail
Enclosure material	Thermoplastic UL94-V0			
Degree of protection	IP20	IP20	IP20	IP20
Order Code 2P	B8237	B8235	B8359	B8231
Order Code (with remote signal) 2P	B8238	B8236	B8234	B8232
Order Code 1+1	B8337	B8335	B8333	B8331
Order Code (with remote signal) 1+1	B8338	B8336	B8334	B8332

BR275-6

Type 3 Surge Arrester



■ Type 3 surge arrester is installed between LPZ2 and LPZ3, it can provide protection for equipments.

	BR275-6-L	BR275-6-B
SPD classification according to EN61643-11	Type 3	Type 3
SPD classification according to IEC61643-11	Class III	Class III
Normal a.c. voltage	Un	230V
Max. continuous operating a.c. voltage	Uc	275V
Max. continuous operating d.c. voltage	Uc	300V
Nominal discharge current (8/20 μs)	In	3kA
Combined impulse	Uoc	6kV
Voltage protection level	Up	≤ 1.3kV
Response time	tA	≤ 25ns
Operating temperature range	Tu	-40°C-80°C
Operating state/fault indication	LED	BEEP
For mounting on	35mm Din rail	35mm Din rail
Enclosure material	Thermoplastic UL94-V0	Thermoplastic UL94-V0
Degree of protection	IP20	IP20
Order Code	B8355	B8357