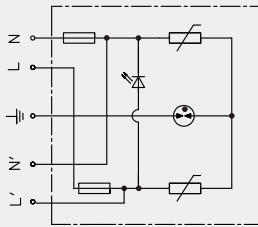


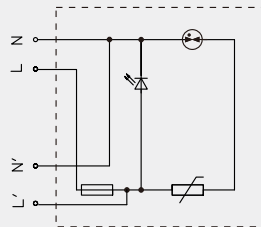
BRLED-06SC

Surge Arresters for LED

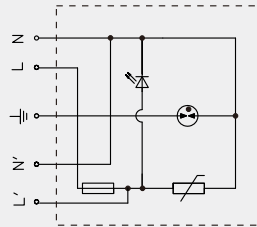
BRLED-06SC-VG
BRLED-06SC-NG
BRLED-06SC-TT



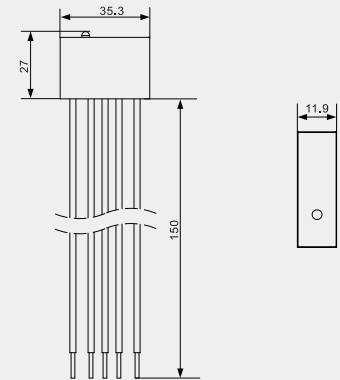
BRLED-06SC-VG



BRLED-06SC-NG



BRLED-06SC-TT



		BRLED-06SC-VG	BRLED-06SC-NG	BRLED-06SC-TT
SPD classification according to EN61643-11		Type 2+Type 3	Type 2+Type 3	Type 2+Type 3
SPD classification according to IEC61643-11		Class II+Class III	Class II+Class III	Class II+Class III
Nominal a.c. voltage	Un	230V	230V	230V
Max. continuous operating a.c. voltage	Uc	275V	275V	275V
Frequency		50-60Hz	50-60Hz	50-60Hz
Nominal discharge current (8/20μs)	In	3kA	3kA	3kA
Max. discharge current (8/20μs)	Imax	6kA	6kA	6kA
Max. Load	IL	10A	10A	10A
Combined impulse	Uoc	6kV	6kV	6kV
Voltage protection level	Up	≤1.3kV	≤1.3kV	≤1.3kV
Response time	tA	≤100ns	≤100ns	≤100ns
Operating temperature range	Tu	-40°C-80°C	-40°C-80°C	-40°C-80°C
Operating state		Green light on: OK, Green light off: Replace		
Enclosure material		Thermoplastic UL94-V0		
Degree of protection		IP 65		
Order Code		B6024	B6025	B6026